



uPVC Sacrificial Screed Rail System

K-FORM Screed Rails

K-FORM UPVC Screed Railing provides the construction industry with an economical, efficient and environmentally friendly alternative to steel and timber formwork.

Made from 100% recycled materials, K-FORM is lightweight, durable and does not require removal after placement of concrete. It is easily cut to length on site and has pre-drilled holes in the vertical face for placing steel dowel bars and in the base for anchoring. K-FORM's patented design features a removable top strip for joint sealing and its unique end clips allow for quick and easy installation.

Intended to be used with all types of screeds including; twin beams, roller strikes, vibro strikes, etc. K-FORM's K135, K85 and K35 sacrificial railing replaces steel forms where joints are needed.

Features & Specifications of K-FORM Screed Rails

- ✓ Enables adjoining bays to be poured simultaneously
- ✓ 'Click-together' ease
- ✓ Pre-drilled holes for dowel bars
- ✓ Pre-drilled holes in base for anchoring
- ✓ Manufactured in durable 100% recycled uPVC
- ✓ Removable top strip to allow joint sealing
- ✓ No removal after use
- ✓ Designed for pours of 50mm-225mm thick.



Working in partnership with



We stock the following products:

K-FORM K135 Screed Rail
for Slab thickness 150mm - 225mm

K-FORM K35 Screed Rail
for Slab thickness 50mm - 100mm

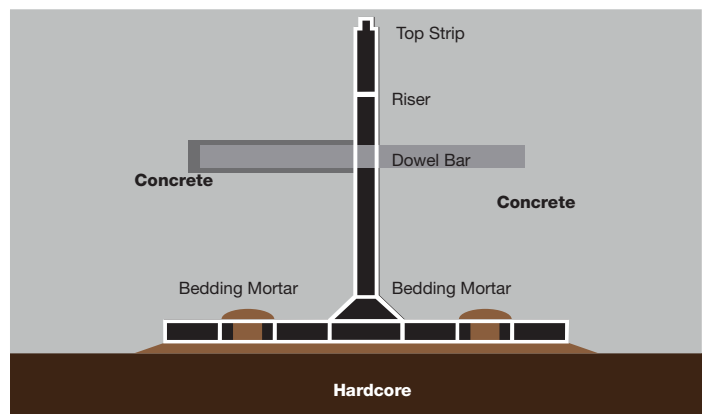
K-FORM Screed Rail
Top Strip Angle Joint

K-FORM K85 Screed Rail
for Slab thickness 100mm - 140mm

K-FORM Screed Rail
25mm Extension Strip

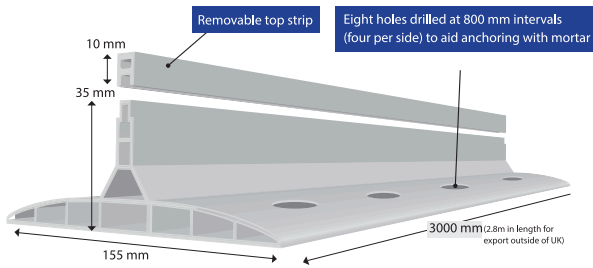
For more information please see overleaf

Cross Section of K-FORM



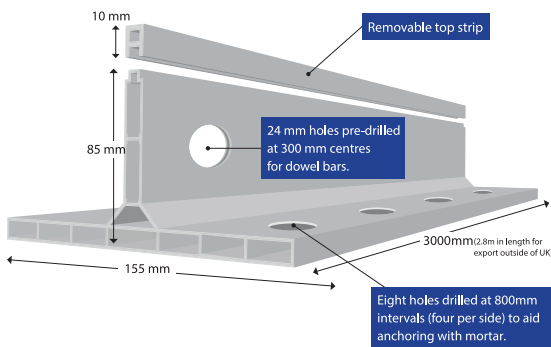
K-FORM K35 Screed Rail

for Slab thickness 50mm - 100mm



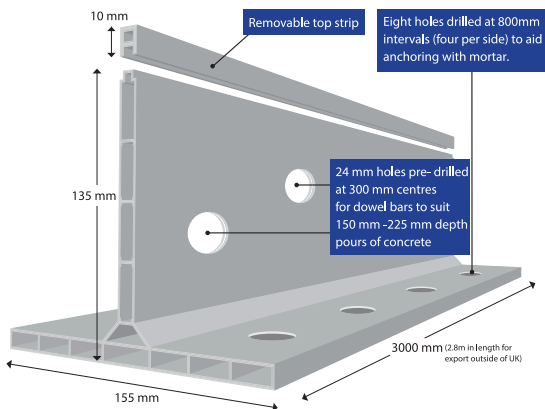
K-FORM K85 Screed Rail

for Slab thickness 100mm - 140mm



K-FORM K135 Screed Rail

for Slab thickness 150mm - 225mm

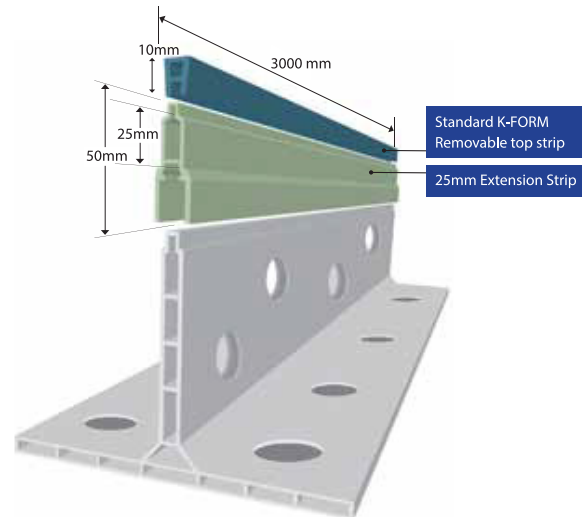


Contact your local depot for more information

K-FORM Screed Rail

25mm Extension Strip

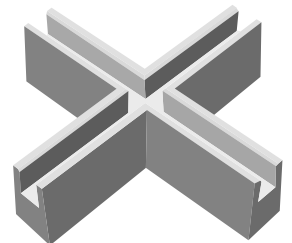
- Allows increase in height of 25mm
- Integrates seamlessly with K-FORM Screed Rails
- Compatible with K-FORM top strip
- Fast and easy clip on design



K-FORM Screed Rail

Top Strip Angle Joint

Top Strip Angle Joints integrate seamlessly with K-FORM K85 and K135 Screed Rails. They provide a clean and tidy joint detail at intersections and should be used when it is intended to leave the top strip in place after pouring.



Bluebay North & Scotland

Unit 16G, Follingsby Park, Gateshead, Tyne and Wear, NE10 8YF

☎ 0191 416 6572

📠 0191 416 8614

✉ gateshead@bluebaybp.co.uk

Bluebay North West & E. Midlands

Unit 2A & 2B, New Cut Lane Ind Est, Warrington, WA1 4AG

☎ 01925 875588

📠 01925 819559

✉ warrington@bluebaybp.co.uk

Bluebay West & Wales

Unit 51, Portmanmoor Road Industrial, Estate, Ocean Park, Cardiff, CF24 5HB

☎ 02920 495555

📠 02920 491700

✉ cardiff@bluebaybp.co.uk

Bluebay London & S.E.

Unit 3, Stadium Ind Est, Cradock Road, Luton, Bedfordshire, LU4 0JF

☎ 01582 594007

📠 01582 594009

✉ london@bluebaybp.co.uk

Bluebay Thames Valley

Unit 26A, Ganton Way, Techno Trading Estate, Swindon, Wilts, SN2 8EZ

☎ 01793 512299

📠 01793 535888

✉ swindon@bluebaybp.co.uk