

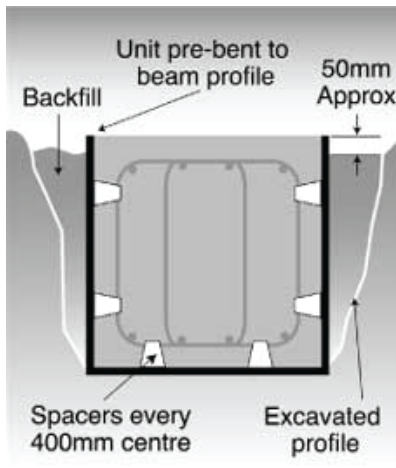
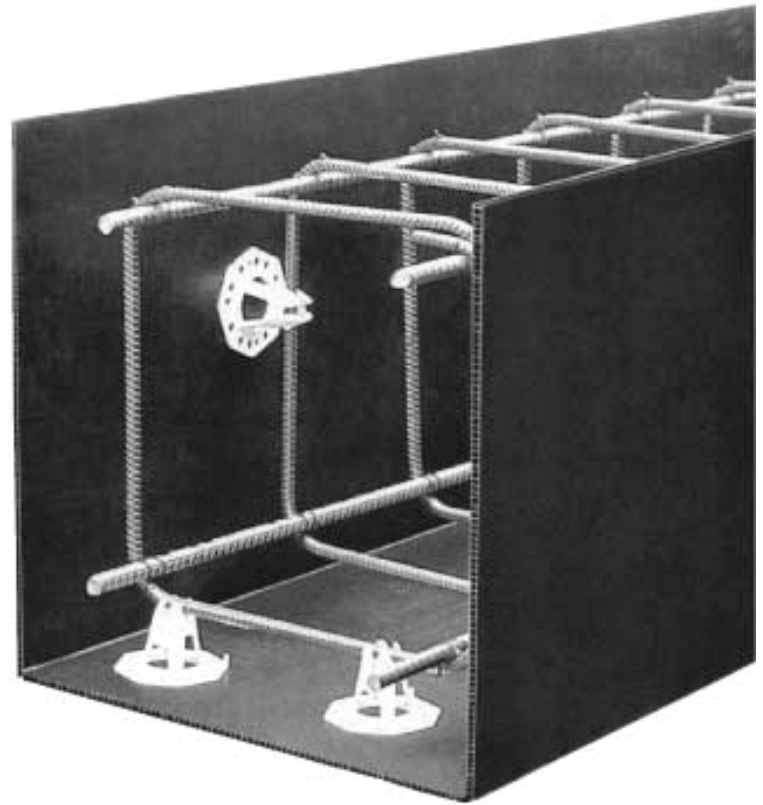
BAYFORM Permanent Shuttering System



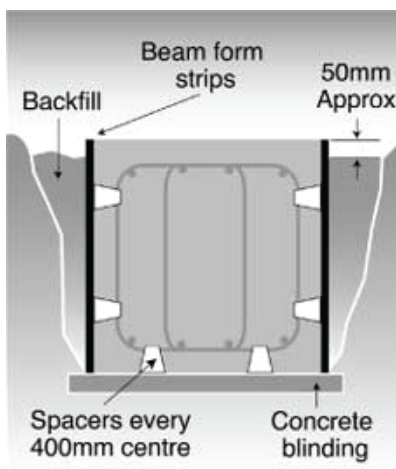
BAYFORM provides the contractor with a rapid and cost effective method of constructing concrete ground beams and pile caps. Manufactured from heavy duty polypropylene in 8mm thickness, the system has many advantages over traditional timber or steel pan construction.

BAYFORM is supplied in three main forms:

- Standard 4.88m x 2.44m sheets which are cut and scored on site by the contractor
- Supplied in cut strips, when using sides only
- Pre-fabricated into U-sections in the factory, to suit individual site requirements.



U-shaped corrugated beam form placed in levelled excavated surface



Strips of corrugated beam form supplied for pile caps, bases or beams and supported on concrete blinding

Advantages

- Can be bent to form any ground beam detail
- Requires less excavation than traditional shuttering
- Light but rigid so easily handled
- Can arrive on site tailor made ready for installation
- Supplied flat pack so requires minimal storage space
- Reduces over dig and spoil cartage
- Easily installed and cut to exact dimensions
- Minimises concrete wastage
- No stripping, cleaning or release agents are needed
- Easily adapted to suit services and variations on site