





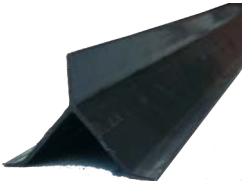
## Slab Accessories

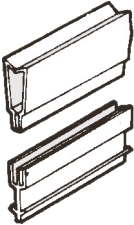
Mild / Stainless Steel Dowel Bars	Diameter (mm)	Length (mm)
<p>Dowel bars are used in contraction and expansion joints.</p> <p>Prices quoted are for sawn ends.</p> <p>Other sizes are available on request.</p> 	12	400
	12	600
	12	900
	16	400
	16	600
	16	900
	20	400
	20	600
	25	500
	25	600

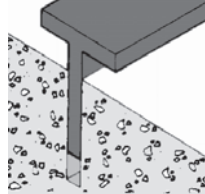
Dowel Bar End Caps	Diameter x Length (mm)	Pack Size
	12 x 100	100
	16 x 100	100
	20 x 100	100
	25 x 100	100
	32 x 100	100
Rigid PVC tube with a compressable plug which allows for the expansion of the dowel bar.		

Dowel Bar Paint	Size
	5L
	25L
Bituminous compound, complies with the requirements of clause 2605 of the D.O.E. Specification for Roads and Bridges. Dipped or brush applied.	


Dowel Bar Sleeves	Diameter x Length (mm)	Pack Size
	12 x 450	100
	16 x 200	100
	20 x 300	100
	25 x 300	100
	32 x 375	100
PVC sleeve acts as a method of de-bonding steel bars		


Bottom 'Y' Crack Inducer	Size
	40mm x 5m
	75mm x 5m
Used where a vertical crack formed from the base of the slab is required.	

2 Part Crack Inducer	Size
	10mm x 50mm x 5m
	10mm x 75mm x 5m
Two Parts used in external concrete slab areas where the joint has to be sealed. The top part is removed after the concrete has set to assist sealing.	

Aluminium 'T' Bar	Size
	50mm x 5m
	75mm x 5m
Aluminium T-Bar is used as a tool to form a straight void for inserting top crack inducers..	

Plastic Screed Chair	Section	Pack Quantity
	Base	250
	Collar	250
	Saddle	250
A light duty screed chair fully adjustable and can be left in the concrete		

Heavy Duty Metal Screed Chair	Chair Type	Slab Thickness
	1	120 - 150mm
	2	150 - 200mm
	3	200 - 300mm
	4	300 - 400mm
Adjustable heavy duty screed chair for concrete floor slabs up to 400mm thick.		

Extra Heavy Duty Screed Chair

extra heavy duty metal screed chairs are constructed of robust material, therefore being a very stable support unit. Use for slab thickness from 50mm up to 500mm.

## Slab Accessories (Cont..)

### Frost Blankets

Laying concrete at temperatures below 5°C generally requires special precautions (such as special concrete additives, heating devices, hot vapour equipment etc.). An easy and inexpensive solution is the use of Frost Blankets. The thermal insulation effect of the Frost Blanket significantly reduces the loss of natural concrete hydration heat and thereby keeps the concrete warm long enough for a safe curing.

The combination of their excellent thermal insulation performance, their negligible water absorption and their flexibility make Frost Blankets ideal for improved concrete curing. Frost Blankets can be directly rolled onto the wet concrete. Wind conditions might necessitate the mats being held in place by suitable loading at the contractor's discretion. Beware not to walk on the mats during installation and before hardening of the concrete.



#### Technical Data

##### Frost Blankets

Size	75m x 2m x 8mm
Density	30kg / m <sup>2</sup>

##### Applications

- Negligible water absorption
- Excellent thermal insulation
- Excellent chemical resistance
- Fast laying from the roll
- Lightweight, easy to handle and cut
- Good mechanical resistance
- Flexible at very low temperatures

### Bubble Wrap

Bubble wrap is used as a low cost concrete curing blanket / frost blanket and for membrane protection.



#### Bubble Wrap

Size	1.5m x 100m
------	-------------

### Hessian

Hessian rolls are used for the protection of concrete and masonry.

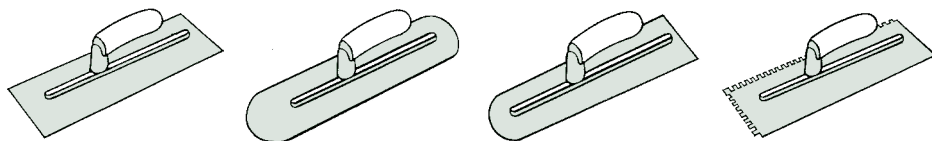


#### Hessian

Size	1.37m x 46m
------	-------------

## Slab Accessory Tools

### Steel Hand Trowels

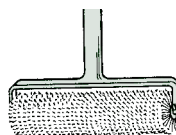


#### Sizes

320 x 100mm
400 x 100mm
360 x 100mm
280 x 120mm

### Spiked Roller

The spiked roller for rolling out air bubbles from self levelling floor toppings. The spiked discs are solvent resistant for ease of cleaning.

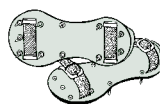


#### Sizes

360 x 70mm
2m Alloy Handle

### Spiked Shoes

The spiked shoes are for walking over self levelling floor toppings.

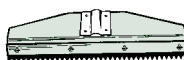


#### Sizes

Universal
-----------

### Notched Leveller

Notched blade for levelling floor toppings.



#### Sizes

840mm
-------

### Squeegy



#### Sizes

840mm
-------

### Bull Float

Hard wearing magnesium alloy tool for smoothing, levelling and finishing large areas of screed and wet concrete.



#### Sizes

1150 x 200mm
2m Alloy Handle