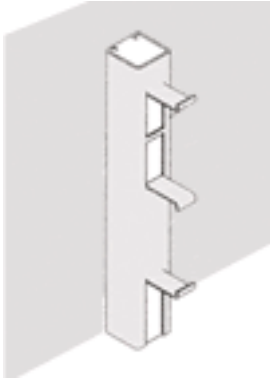


Unistrut - Concrete Inserts

UNISTRUT®

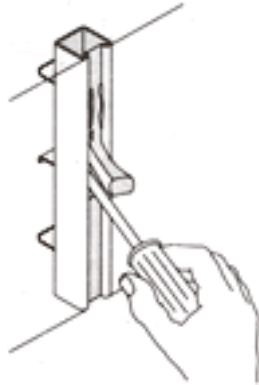
Unistrut concrete inserts are manufactured from the standard Unistrut section and may be installed in floors, walls or ceilings, for the support of all types of piping, conduit, cable supports and other industrial equipment.

Easy Placing



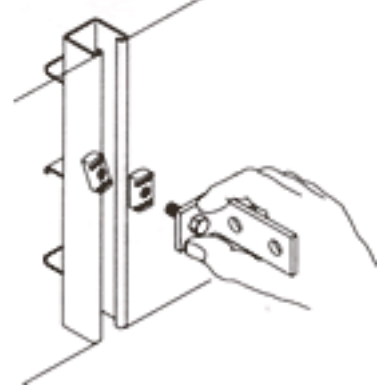
The Unistrut Concrete Insert is firmly fixed to the concrete side of the shuttering before pouring.

Immediate Use



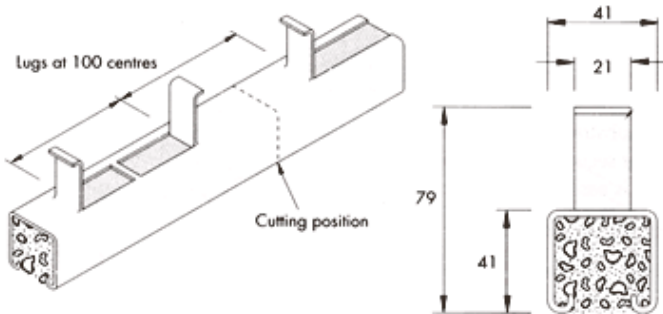
When shuttering is struck, the insert is ready to use

Fix at any point



Brackets and other components can be attached at any point along the Unistrut continuous entry channel.

Technical Data

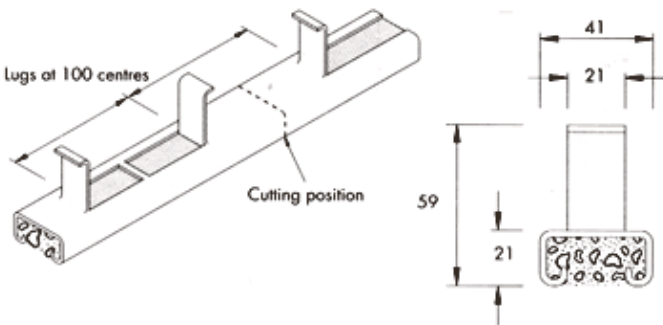


P3270 - Pre-galvanised cold rolled steel.

41mm x 41mm x 2.5mm thick
Standard Length: 6000mm
Weight: 17.82 Kg per length

P3270 Inserts are designed to accommodate 6,8,10,12 & 16mm Ø fixings.
Normal cutting positions are between lugs as indicated.
Non standard lengths are available in 200mm increments.

Technical Data

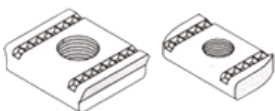


P3370 - Pre-galvanised cold rolled steel.

41mm x 41mm x 2.5mm thick
Standard Length: 6000mm
Weight: 16.60 Kg per length

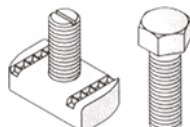
P3370 Inserts are designed to accommodate 6,8,10,12 & 16mm Ø fixings.
Normal cutting positions are between lugs as indicated.
Non standard lengths are available in 200mm increments.

Unistrut Channel Nut



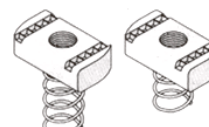
Suitable for P3270 concrete inserts

Unistrut Stud & Hex Screw



Suitable for all concrete inserts

Unistrut Sprung Nut



Suitable for all concrete inserts

A wide range of concrete inserts and other Unistrut products are also available.