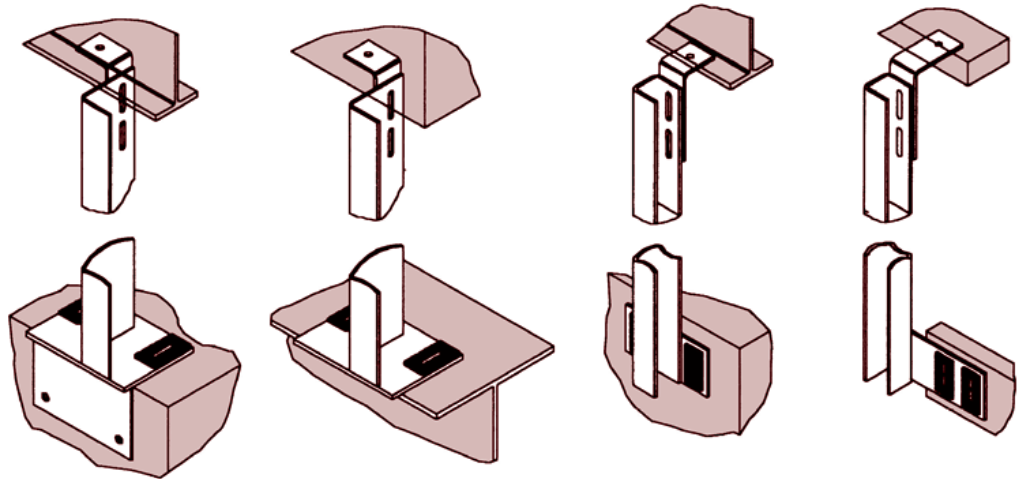
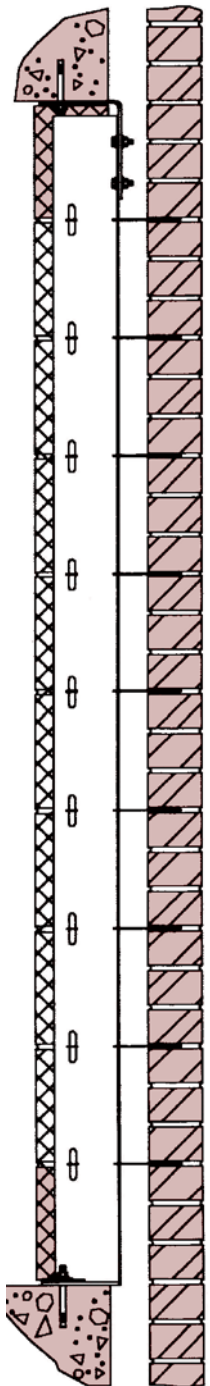
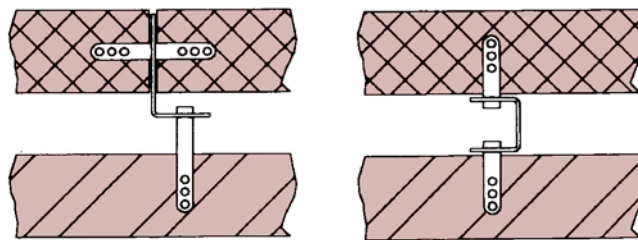


## Bluebay Windposts

Windposts are used to provide stability to masonry panels which may be difficult to justify structurally. The windpost spans vertically between floors and consists of a base connection, post and top connection (typical examples of base and top connections are shown below.) Base and top connections can be designed to suit individual requirements. The connections are designed to offer maximum adjustment incorporating slots and serrated pads/washers where appropriate.



Typical base connection to Steel, Concrete & Timber

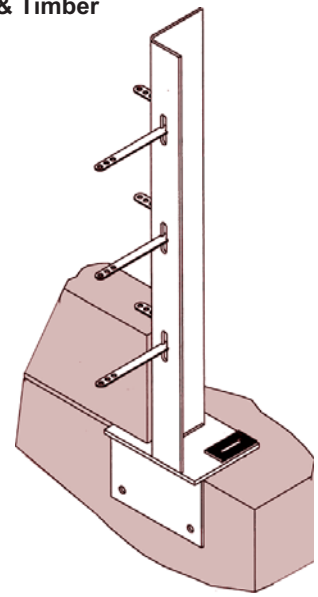


**Type 1**

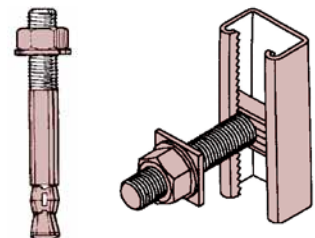
Type 1 (axbxt)
125 x 70 x 4mm
140 x 70 x 4mm
150 x 70 x 4mm
160 x 80 x 8mm
130 x 70 x 6mm
150 x 80 x 8mm

**Type 2**

Type 2 (axbxt)
65 x 60 x 4mm
75 x 60 x 4mm
75 x 60 x 5mm
85 x 60 x 5mm
65 x 60 x 5mm
85 x 60 x 4mm

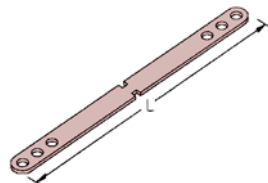


Spandrel Windpost



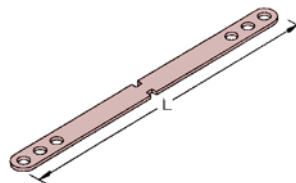
Bolted or Channel Fixed

**Type 1 Windpost**  
First slot positioned to suit coursing level. Slots then at 225mm centres.



1 way Tie

\*\* Specify Length when ordering \*\*



2 way Tie

\*\* Specify Length when ordering \*\*

Prices for the full range of Winposts and accessories are available upon request